



PD.2450



- Heavy duty 24" cast aluminium frame with extra wide flange for increased rigidity
- 1000W_{RMS}
- 6" copper voice coil assembly
- 220 oz. ceramic magnet
- Power compression only 2dB at rated power *1
- Distortion *2 2nd Harmonic <1%
 3rd Harmonic <1%
- Advanced magnetic assembly incorporating a composite alloy and steel pole piece giving a uniform and stable magnetic field, improving linear excursion and providing an efficient thermal path to dissipate the heat produced by the voice coil.
- A B/L in excess of 32.5 T/m for fast accurate lows
- Exemplary electro-acoustic performance and long term reliability in all types of professional applications
- Double suspension system maintaining a pure piston action for the moving mass even when driven with the most complex programme input signals and provides additional durability against the rigours of life on the road

APPLICATION NOTES

Designed specifically to provide powerful sub bass frequencies with minimal distortion and power compression.

The PD.2450 offers a fast responsive sound and is an outstanding drive unit, suitable for sound reinforcement in a variety of enclosure types since it allows designers considerably more freedom with enclosure design and specialised loading techniques without having to allow for physical characteristics or power handling limitations which are typically the result of more traditional designs.

Perfectly at home in new or refurbished horn loaded sub bass systems this unit also delivers powerful lows in reflex designs, such as home theatre and house of worship applications.

**1 Power compression is the reduction of sensitivity at the specified power. Higher power ratings do not necessarily give a proportionate increase in SPL therefore the maximum SPL of the PD.2450 may significantly exceed that of other manufacturers with high published power ratings.*

**2 Distortion is measured at 10% of the rated power (AES Standard).*

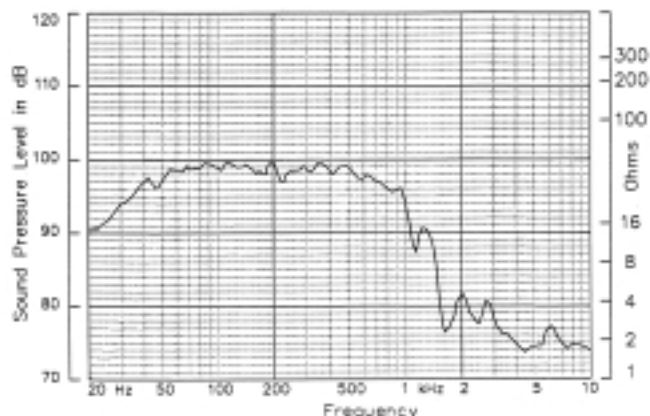
WORLD HEADQUARTERS

Precision Devices Grantley Way Wakefield West Yorkshire WF1 4PY England
Telephone: +44 (0) 1924 332188 Fax: +44 (0) 1924 239988 Email: info@precision-devices.com W: www.precision-devices.com

FACTORY

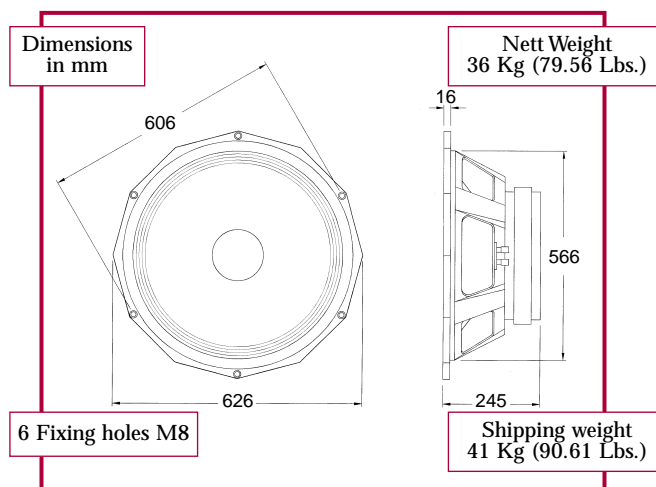
Precision Devices Jenson House Cardrew Industrial Estate Redruth Cornwall TR15 1SS England

RESPONSE & IMPEDANCE DETAIL



Response measured in a half space environment.

MECHANICAL DATA



TECHNICAL SPECIFICATION

Nominal Diameter	61 cm (24")
Power rating ¹	1000 Watts
Frequency range	30 to 1 kHz
Nominal Impedance	8 Ohms
Sensitivity ² (1 W 1 M)	99 dB
Resonance	25 Hz
Enc. Vol. Recommended	130 to 400 Litres
Displacement limit	36 mm (1.42")
Voice coil diameter	152 mm (6.0")
Voice coil	Copper
Voice coil winding depth	30 mm (1.18")
Suspension (Spider)	Dual Fabric
Magnet gap depth	15 mm (0.59")
Magnet material/mass	Ceramic/6.12 Kg (220 oz.)
Magnetic assembly total mass	27.2 Kg (60.11 Lbs.)
Flux Density	11,000 Gauss
Cone type/material	Paper synthetic reinforced
Surround	Fabric
Dust dome	Paper
Connectors	Spring loaded push button metal bodied
Polarity	Positive Voltage on Red Terminal gives forward cone motion

Notes

1. AES Standard (40 to 400 Hz) Program 2000 Watts
2. AES Recommended Practice.

THIELE - SMALL PARAMETERS

F_s	30.477 Hz	Q_{ms}	6.890
L₁	1.917 mH	V_{as}	565.373 Litres
Re_{vc}	5.58 Ohms	Q_{es}	0.35
L₂	3.733 mH	M_{ms}	342.347 grams
Res	110.05 Ohms	S_d	2248.01 sq cm
RMSE-load	2.223 Ohms	C_{ms}	79.333 μM/N
Q_{ts}	0.33	R₂	11.373 Ohms
RMSE-free	1.26 Ohms	BL	32.357 T/m

Notes

3. Thiele - Small Parameters follow a 1000 Watt preconditioning period.