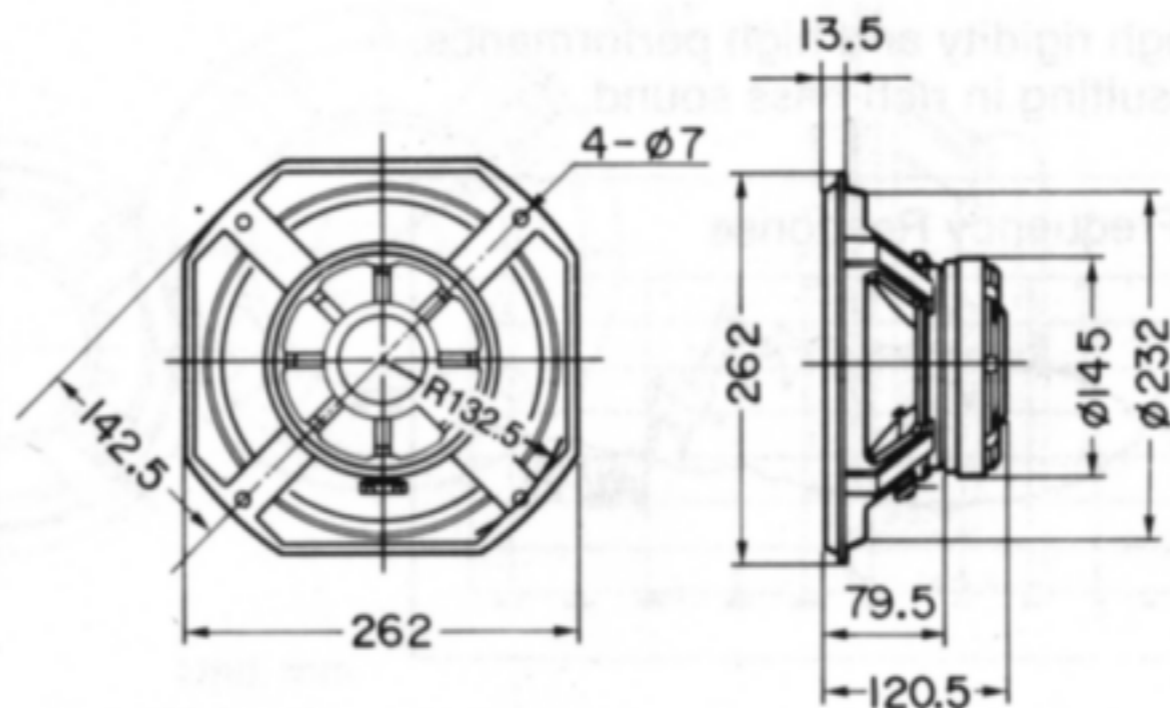
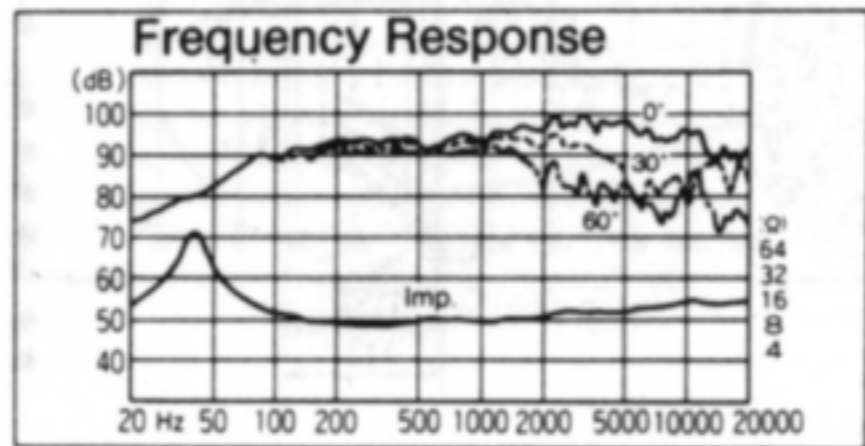


25cm cone-type, full-range unit

# FP253N



■ The frame is designed to have sufficient sturdiness and strength. A tweeter can be added without trouble thanks to the proper high-frequency response.



Unit: mm

## Specifications

- Impedance ..... 8Ω
- Min. resonance frequency ..... 37Hz
- Reproduction frequency response .....  $f_0 \sim 20\text{kHz}$
- Output sound pressure level ..... 95dB/W(1m)
- Input ..... 120W(Mus.)
- $m_0$  ..... 21g
- $Q_0$  ..... 0.5
- Effective vibration radius(a) ..... 10.3cm
- Magnet weight ..... 1,055g
- Total weight ..... 4.4kg

Vas

741.0 1/2