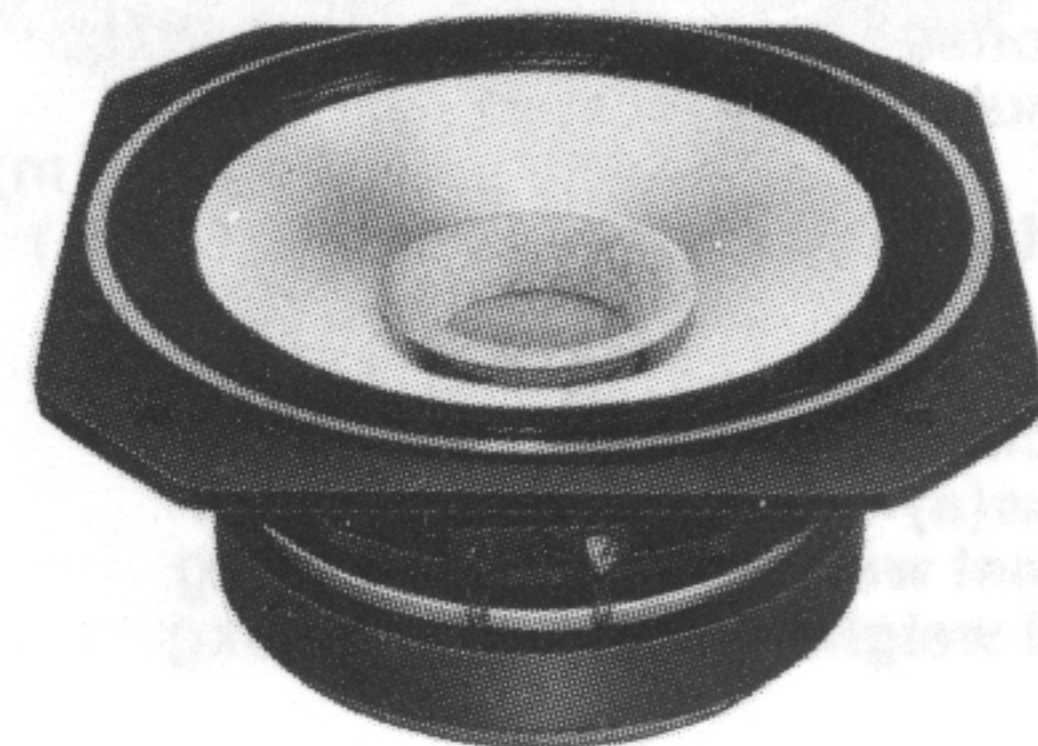


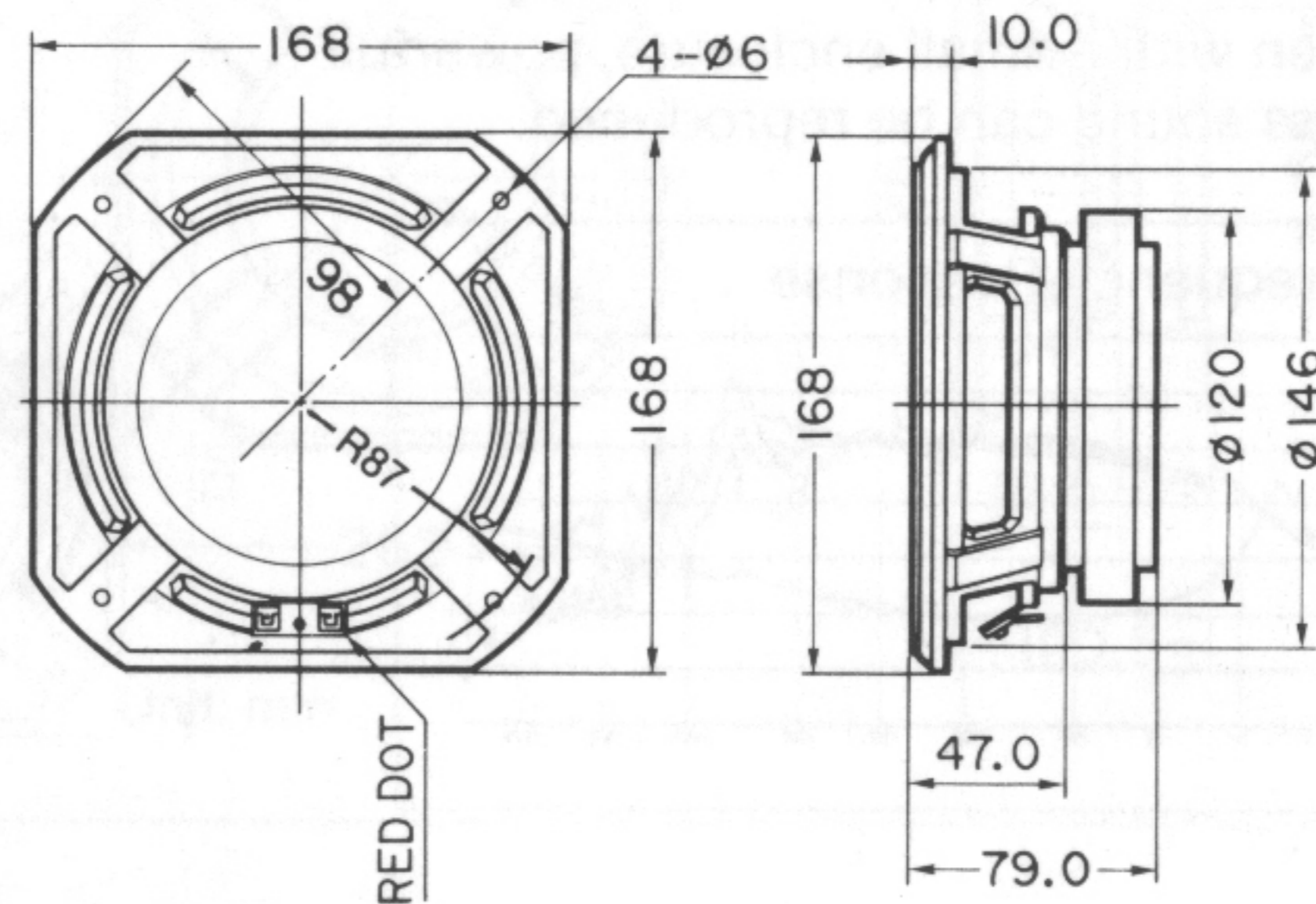
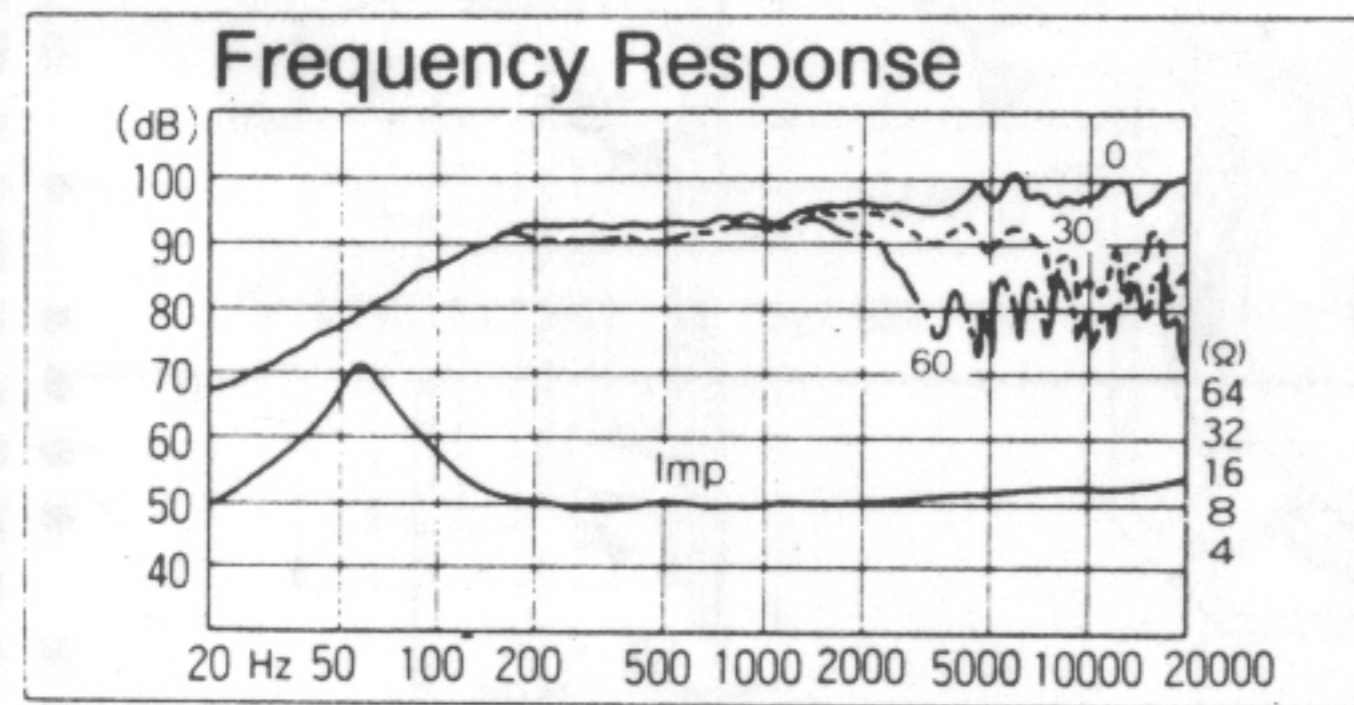
FP Series

16cm double-cone, full-range unit

FP163



■ The double-cone mechanism using a sub-cone improves the directivity and high-frequency response.



Unit: mm

Specifications

- Impedance 8Ω
- Min. resonance frequency 55Hz
- Reproduction frequency response $f_o \sim 20\text{kHz}$
- Output sound pressure level 93dB/W(1m)
- Input 80W(Mus.)
- m_o 7.0g
- Q_o 0.33
- Effective vibration radius(a) 6.5cm
- Magnet weight 720g
- Total weight 2.25kg