

# FE206ES-R

## Features

- Radial papermaking ES cone. Radial paper making technology can control cone density and the resonance derived from density differential.
- High rigid & increased specific gravity material, 'Zinc die-cast' is employed for frame to support the largest class,  $\varnothing 180\text{mm}$  ferrite magnetic circuit.
- Silver-Copper alloy wire for voice coil & internal wiring.

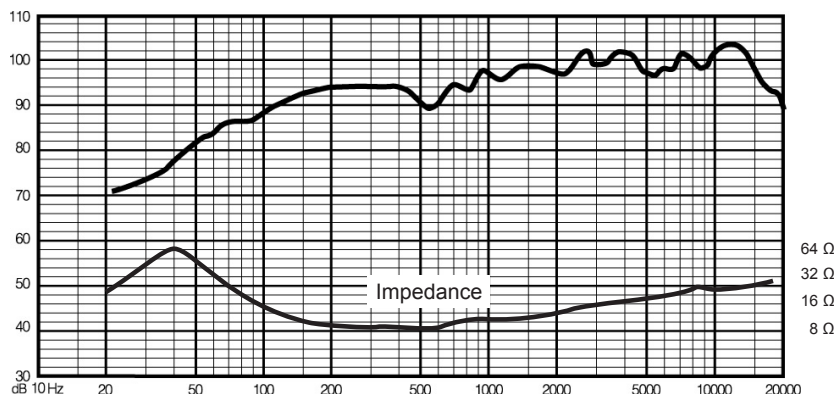


## Specifications & Thiele/Small Parameters

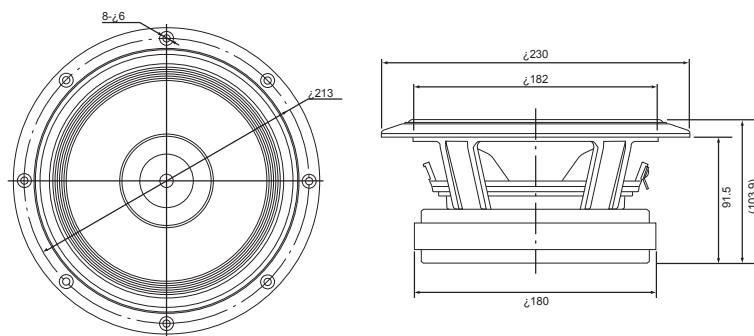
Size	: 200 mm / 8 in
Voice Coil Diameter	: 35 mm / 1.3 in
Cast / Stamped	: Cast
Impedance	: 8 $\Omega$
Reproduction Frequency Response	: fs - 20 kHz
Sound Pressure Level	: 98 dB/W(m)
Rated Input	: 34 W
Music Power	: 100W
Magnet Material	: Ferrite
Magnet Weight	
(main)	: 1,821 g / lb
(cancel)	: n/a g / n/a lb
Net Weight	: 6,400 g / lb

a	: 81 mm
Sd	: 0.021 m <sup>2</sup>
Zn	: 8 $\Omega$
Fs	: 42 Hz
Re	: 6.8 $\Omega$
Le	: 0.2 mH
Qms	: 2.32
Qes	: 0.21
Qts	: 0.19
Mms	: 12.3 g
BL	: 10.2 Telsa/m
Vas	: 74.2 L
Xmax	: 0.6 mm
Eff/h0	: 2.62 %
Cms	: 1.14 mm/N
EBP	: 200

## Frequency Response / Impedance

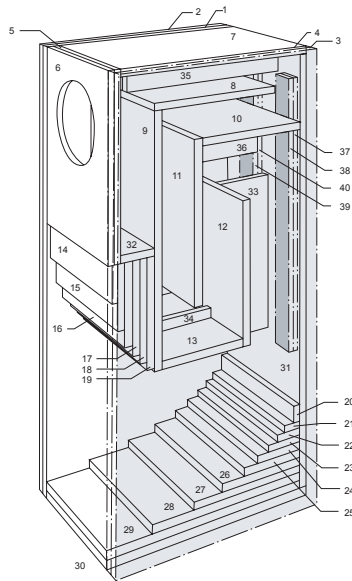
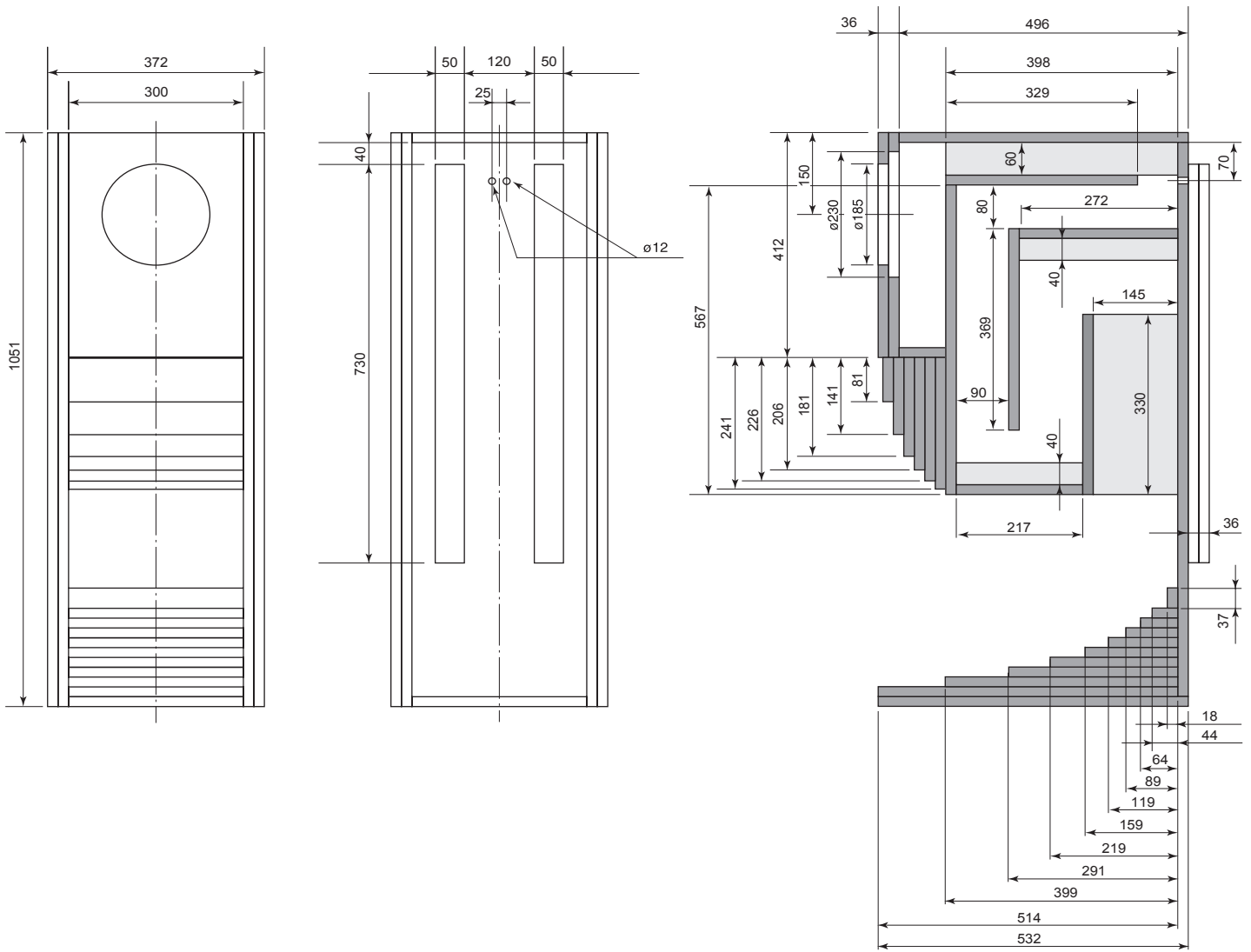


## Dimensions & Mounting Information



Overall Diameter	: 230 mm / 9 in
Baffle Hole Diameter	: 185 mm / 7.2 in
Depth	: 103.9 mm / 4 in

# Recommended Back Loaded Horn Type Enclosure



Part list			
NO.	/mm	NO.	/mm
1	1051 x 532	21	44 x 300
2	1051 x 532	22	64 x 300
3	1051 x 532	23	89 x 300
4	1051 x 532	24	119 x 300
5	412 x 300	25	159 x 300
6	412 x 300	26	219 x 300
7	496 x 300	27	291 x 300
8	329 x 300	28	399 x 300
9	567 x 300	29	514 x 300
10	272 x 300	30	532 x 300
11	369 x 300	31	1015 x 300
12	330 x 300	32	80 x 300
13	217 x 300	33	330 x 145
14	81 x 300	34	40 x 217
15	141 x 300	35	60 x 398
16	181 x 300	36	40 x 272
17	206 x 300	37	50 x 730
18	226 x 00	38	50 x 730
19	224 x 300	39	50 x 730
20	37 x 300	40	50 x 730

**Fostex**

[www.fostex.co.jp](http://www.fostex.co.jp)

Fostex Co., 3-2-35 Musashino, Akishima, Tokyo, Japan I96-0021  
Tel: +81 (0)42-546-4974 Fax: +81 (0)42-546-9222

Distributor / Authorised Dealer

Madisound Speaker Components, Inc.  
PO Box 44283

Madison, WI 53744-4283

Tel: 608-831-3433 Fax: 608-831-3771

Email: [info@madisound.com](mailto:info@madisound.com)

[www.madisound.com](http://www.madisound.com)

