

8 V 5411

8" Polyglass® woofer-midrange



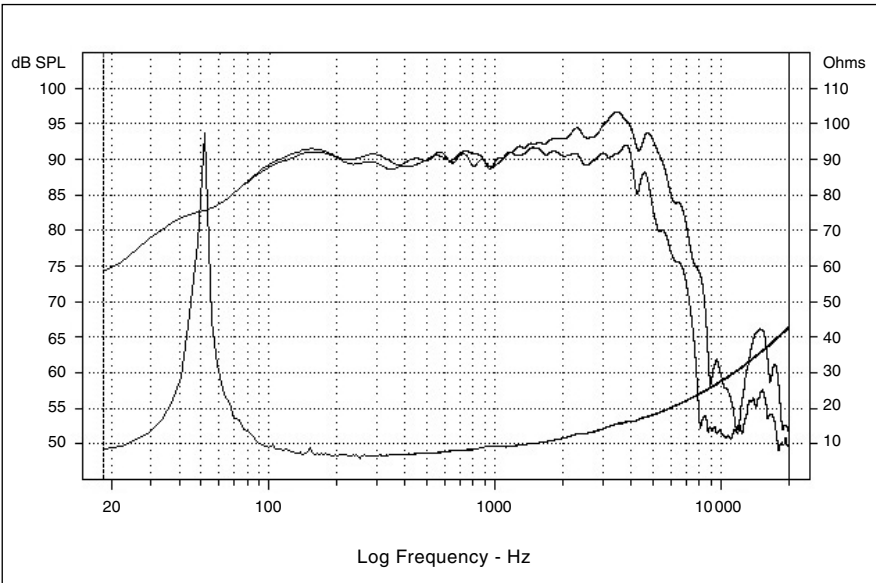
- Thick zamak alloy metal cast frame
- Straight profile Polyglass® cone, rubber surround
- Edgewound flat copper wire 40mm voice coil, black Kapton® former
- Efficiency: 90.3dB
- Good efficiency for 25 to 30l vented 2-way systems



Specifications

Nominal power	90 W	
Maximum power	150 W	
Sensitivity	89.14 dB	
Cone	Polyglass®	
Surround	rubber	
Nom. impedance	6 ohms	
DC resistance	6 ohms	
VC diameter	40 mm	6.20 in
VC height	13 mm	0.51 in
Former	Kapton®	
Layers	1	
Wire	copper	
Inductance	0.53 mH	
Xmax	3.5 mm	0.14 in
Magnet d x h	121 x 20 mm	4.76 x 0.78 in
Magnet weight	876 g	1.93 lb
Flux density	1.3 T	
Gap height	6 mm	0.24 in
Net weight	2.5 kg	5.51 lb

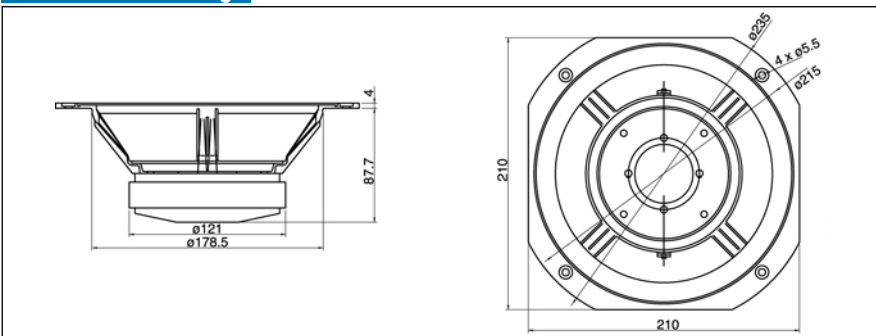
Frequency Response / Impedance



Parameters

Fs	50 Hz	
Vas	30.1 l	1836.8 in3
Qts	0.51	
Qes	0.54	
Qms	7.93	
Re	6 ohms	
Sd	221.7 Cm ²	34.4 in ²
Cas	214E-09 m5/N	
Mas	47.3 kg/m4	
Ras	1872.1 ohms.ac	
Cms	0437E-6 m/N	
Mms	23.23 g	0.051 lb
Rms	0.92 g/s	
Ces	286.6 mF	
Les	35.4 mH	
Res	88.1 ohms	
BI	9 N/A	
SPL	90.3 dB/W/m	

Mechanical Drawing



Suggested application

Load	V (l)	Fb (Hz)	F-3 (Hz)	Ql
Vented	30	39.2	51	7

Focal® is a trademark of Focal-JMLab®